

Aaron Exley

Nidec Motor Corporation  
Mena Plant  
500 North Morrow Street  
Mena, AR 71953

T (479) 394-8741  
F (479) 394-8876  
Aaron.exley@nidec-motor.com

October 20, 2010

Mr. Allen Gilliam  
NPDES Pretreatment Engineer  
Water Division  
Arkansas Department of Environmental Quality  
5301 Northshore Drive  
North Little Rock, AR 72118-5317

RE: April 8, 2010, Pretreatment Report for Nidec Motor Corporation, Mena Plant  
Permit Number ARP000026 AFIN Number 57-00001

Dear Mr. Gilliam,

In accordance with 40 CFR Part 403.12(e), Nidec Motor Corporation, Mena Plant is submitting its Semi-Annual Discharge Report to you for review. We will continue to process the process wastewater as we have in the past. We plan to move the system to its final location in Building 2 sometime within the next 2 or 3 months. Containment has been dug and poured. We are waiting on a quote to seal the floor now. Once complete the treatment processes will be moved.

Please call me at (479) 394-8741 if you have any questions regarding the attached report.

Cordially,



Aaron Exley

cc:

Mike Spencer, Mena Waste Water Treatment Plant, 323 Polk County Road 53  
Randy Wiseman, Director of EHS, Nidec Motor Corporation

# SEMI-ANNUAL REPORT FOR INDUSTRIAL USERS REGULATED BY 40CFR433

Use of this form is not an EPA/ADEQ requirement.

Attn: Water Div/NPDES Pretreatment

## (1) IDENTIFYING INFORMATION

**LEGAL NAME & MAILING ADDRESS**

Nidec Motor Corporation  
500 North Morrow Street  
Mena, AR 71953

**B. FACILITY & LOCATION ADDRESS**

Nidec Motor Corporation  
500 North Morrow Street  
Mena, AR 71953

**C. FACILITY CONTACT:** Aaron Exley EH&S Manager

**TELEPHONE NUMBER:** (479) 394-8741

## (2) REPORTING PERIOD--FISCAL YEAR From Oct 1 to Sep 30 (Both Semi-Annual Reports must cover Fiscal Year)

**A. MONTHS WHICH REPORTS ARE DUE**

October & April

**B. PERIOD COVERED BY THIS REPORT**

**FROM** May 2010 **TO:** Oct 2010

## (3) DESCRIPTION OF OPERATION

**A. REGULATED PROCESSES**

**CORE PROCESS(ES)**

CHECK EACH APPLICABLE BLOCK

- Electroplating
- Electroless Plating
- Anodizing
- Coating
- Chemical Etching and Milling
- Printed Circuit Board Manufacture

**ANCILLARY PROCESS(ES)\***

LIST BELOW EACH PROCESS USED IN THE FACILITY

Parts Washing \_\_\_\_\_

\_\_\_\_\_

\_\_\_\_\_

\_\_\_\_\_

\_\_\_\_\_

**B. CHANGES:**

SUMMARIZE ANY CHANGES IN THE REGULATED PROCESSES SINCE THE LAST REPORT. ATTACH AN ADDITIONAL SHEET IF THE SPACE BELOW IS INADEQUATE. PROVIDE A NEW SCHEMATIC IF APPROPRIATE.

\*SEE 40CFR433.10(a) FOR 40 DIFFERENT OPERATIONS

**C. Number of Regular Employees at this Facility** 340

**D. [Reserved]**

**(4) FLOW MEASUREMENT**

INDIVIDUAL & TOTAL PROCESS FLOWS DISCHARGED TO POTW IN GALLONS PER DAY

Process	Average	Maximum	Type of Discharge
Regulated (Core & Anc)	44.8	1300	Batch
Regulated (Cyanide)	-	-	-
§403.6(e) Unregulated*	-	-	-
§403.6(e) Dilute Cooling Water	239	451	Continuous
Sanitary	7600	7600	Continuous
Total Flow to POTW	11046	11,319	xxxxxxxx

\*"Unregulated" has a precise legal meaning; see 40CFR403.6(e).

**(5) MEASUREMENT OF POLLUTANTS**

A. TYPE OF TREATMENT SYSTEM

CHECK EACH APPLICABLE BLOCK

- Neutralization
- Chemical Precipitation and Sedimentation
- Chromium Reduction
- Cyanide Destruction
- Other \_\_\_\_\_
- None

B. COMMENTS ON TREATMENT SYSTEM

C. THE INDUSTRIAL USER MUST PERFORM SAMPLING AND ANALYSIS OF THE EFFLUENT FROM ALL REGULATED PROCESSES--CORE & ANCILLARY--(AFTER TREATMENT, IF APPLICABLE). ATTACH THE LAB ANALYSIS WHICH SHOWS A MAXIMUM; TABULATE ALL THE ANALYTICAL DATA COLLECTED DURING THE REPORT PERIOD IN THE SPACE PROVIDED BELOW. ZERO CONCENTRATIONS ARE NOT ACCEPTABLE; LIST THE DETECTION LIMIT IF CONCENTRATION WAS BELOW DETECTION LIMIT.

Pollutant(mg/l)	Cd	Cr	Cu	Pb	Ni	Ag	Zn	CN	TTO*
Max for 1 day	0.69	2.77	3.38	0.69	3.98	0.43	2.61	1.20	2.13
Monthly Ave	0.26	1.71	2.07	0.43	2.38	0.24	1.48	0.65	--
Max Measured	< 0.004	0.032	0.188	< 0.010	0.610	<0.001	0.098	<0.0448	--
Ave Measured	< 0.004	0.032	0.188	< 0.010	0.610	<0.001	0.098	<0.0448	--

Sample Location Discharge from Wastewater System

Sample Type (Grab or Composite) Grab

Number of Samples and Frequency Collected 1 every 6 months

40CFR136 Preservation and Analytical Methods Use:  Yes  No

**(6) CERTIFICATION**


**A. CYANIDE CERTIFICATION (Applicability Pending)**

[Reserved]

**B. CHECK ONE:  §433.11(e) TOXIC ORGANIC ANALYSIS ATTACHED  §433.12(a) TTO CERTIFICATION PROVIDED BELOW**

Based on my inquiry of the person or persons directly responsible for managing compliance with the pretreatment standard for total toxic organics (TTO), I certify that, to the best of my knowledge and belief, no dumping of concentrated toxic organics into the wastewaters has occurred since filing of the last semi-annual compliance report. I further certify that this facility is implementing the toxic organic management plan submitted to Arkansas Department of Environmental Quality.

Mark Kinder, Plant Manager  
(Typed Name)



(Corporate Officer or authorized representative)

Date of Signature 10/19/10

**CORPORATE ACKNOWLEDGEMENT (Optional)**

STATE OF ARKANSAS )  
COUNTY OF \_\_\_\_\_ )

Before me, the undersigned authority, on this day personally appeared \_\_\_\_\_ of \_\_\_\_\_, a corporation, known to me to be the person whose name is subscribed to the foregoing instrument(s), and acknowledged to me that he executed the same for purposes and considerations therein expressed, in the capacity therein stated and as the act and deed of said corporation.

Given under my hand and seal of office on this \_\_\_\_\_ day of \_\_\_\_\_, 200\_\_.

\_\_\_\_\_  
Notary Public in and for \_\_\_\_\_  
County, Arkansas

My commission expires \_\_\_\_\_.

**(7) POLLUTION PREVENTION ACT OF 1990 [42 U.S.C. 13101 et seq.]**

§6602 [42 U.S.C. 13101] Findings and Policy para (b) Policy.—The Congress hereby declares it to be the national policy of the United States that pollution should be prevented or reduced at the source whenever feasible; pollution that cannot be prevented should be recycled in an environmentally safe manner, whenever feasible; pollution that cannot be prevented or recycled should be treated in an environmentally safe manner whenever feasible; and disposal or other release into the environment should be employed only as a last resort and should be conducted in an environmentally safe manner.

The User may list any new or ongoing Pollution Prevention practices:

- ◆ Continued maintenance of RPZ valves.
- ◆ Chemical precipitation of regulated streams prior to discharge.
- ◆ Floor drains in manufacturing areas sealed.

**(8) GENERAL COMMENTS**

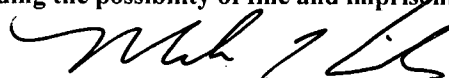
N/A

**(9) SIGNATORY REQUIREMENTS [40CFR403.12(I)]**

I certify under penalty of law that I have personally examined and am familiar with the information in this document and all attachments were prepared under my direction or supervision in accordance with a system designed to assure that qualified personnel properly gather and evaluate the information submitted. Based on my inquiry of the person or persons who manage the system, or those persons directly responsible for gathering the information, the information submitted is, to the best of my knowledge and belief, true, accurate, and complete. I am aware that there are significant penalties for submitting false information, including the possibility of fine and imprisonment for knowing violations.

**Mark Kinder**

NAME OF CORPORATE OFFICER OR AUTHORIZED REPRESENTATIVE



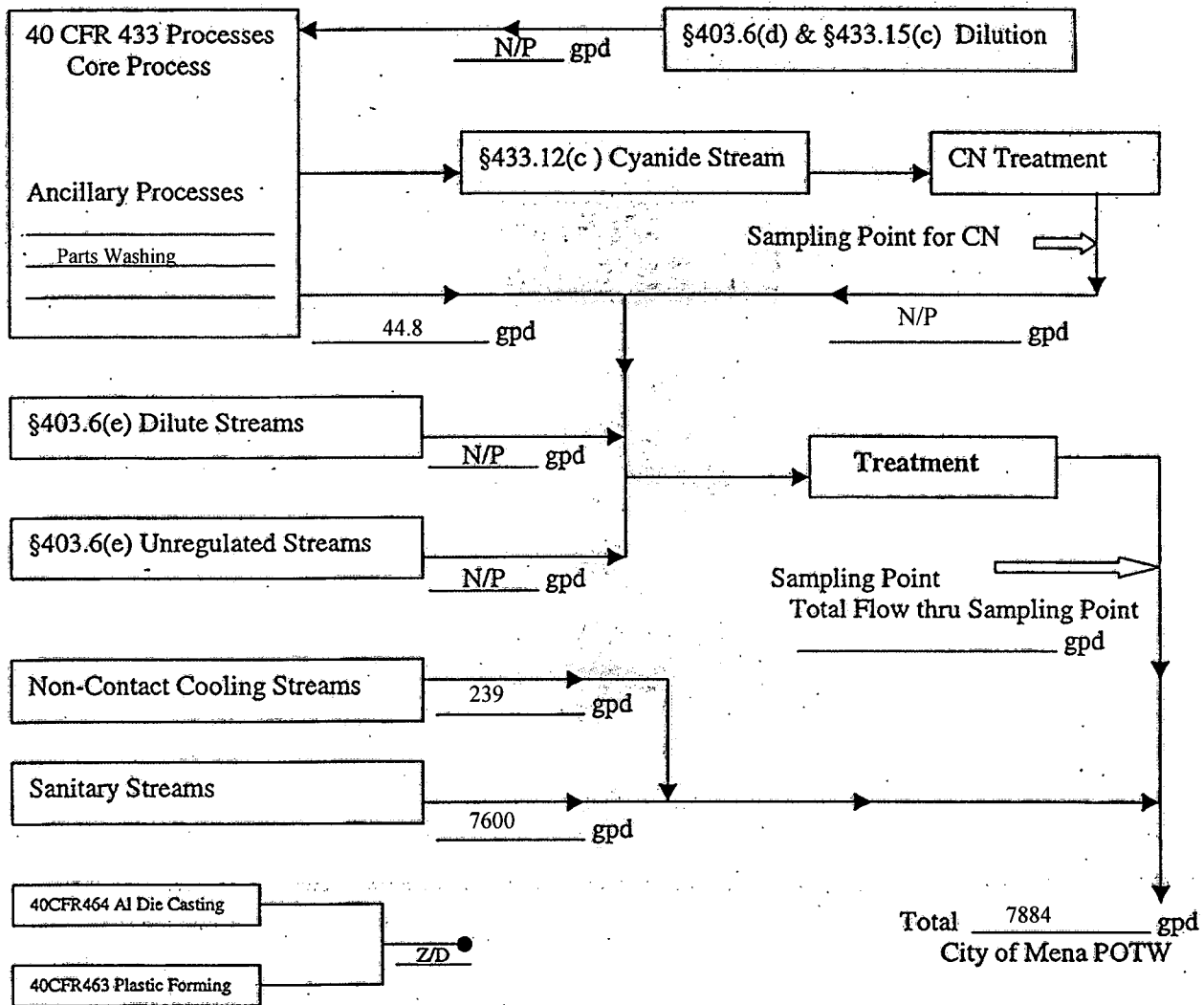
SIGNATURE

**Plant Manager**

OFFICIAL TITLE

DATE SIGNED





If a stream is not present, show NOT PRESENT or N/P. If a stream is present, the wastewater can enter the POTW but currently has no flow, show 0.0 gpd. If a stream is present but the wastewater cannot enter the POTW, show Zero Discharge or Z/D. If an unregulated stream is present but the User has decided not to declare it at this time, show N/P.

*Aaron Esley*  
 Signature of §403.12(b) Professional

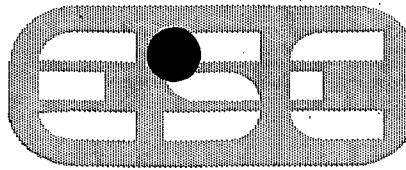
*10/19/2010*  
 Date

I certify under penalty of law that I have personally examined and am familiar with the information in this document and that this document was prepared under my direction or supervision in accordance with a system designed to assure that qualified personnel properly gathered and evaluated the information submitted. Based on my inquiry of the person or persons who manage the system, or those persons directly responsible for gathering the information, the information submitted is, to the best of my knowledge and belief, true, accurate and complete. I am aware that there are significant penalties for submitting false information, including the possibility of fine and imprisonment for knowing violations.

*Mike Hill*  
 Plant Manager or the authorized §403.12(l) official

*10/19/10*  
 Date  
 UEM\_Diagram.doc (08-06-2002)

Environmental Services Company, Inc.  
 Corporate Office  
 13715 West Markham P.O. Box 55146  
 Little Rock, AR 72211 Little Rock, AR 72215  
 website: www.esclabs.com



Environmental Services Company, Inc.  
 Northwest Branch  
 1107 Century  
 Springdale, AR 72764

Phone: 501-221-2565 Fax: 501-221-1341

# CHAIN OF CUSTODY

Phone 479-750-1170 Fax: 479-750-1172

Client Information						Project Information					Requested Parameters												
Company Name:		U.S. Electrical Motors				Permit/Project #:					**TCLP Metals (See Comments) Cyanide(9)												
Address:		500 Morrow Street Mena, AR 71953-2599				Purchase Order #:																	
Telephone:		479-394-8757				Work Order #:																	
Contact:		Mr. Aaron Exley				Sampler Name(s):		TERRY DAVIS															
FAX:		479-394-8805				and Signature(s):																	
ESC Client Number:		478																					
Sample Identification			Sample Collection			Sample Containers																	
Identification	ESC Control #	Date	Time	Type	Matrix	Type	Volume	Preservative	#														
WASTE WATER	1009010355	9/20/10	9 AM	Grab	Water	Glass	1 Liter	None	1	X													
WASTE WATER		9/20/10	9 AM	Grab	Water	Plastic	1 Liter	NaOH/Ascb	1	X													
Relinquished By: (Signature and Printed Name)		Date	Time	Received By: (Signature and Printed Name)		Date	Time	Custody Seals:															
Terry Davis		9/20/10	9 AM	Cindy Strauss		9-21-10	1145	Used? <input type="checkbox"/> Intact? <input type="checkbox"/>															
Relinquished By: (Signature and Printed Name)		Date	Time	Received By: (Signature and Printed Name)		Date	Time	Turnaround:															
Cindy Strauss		9-21-10	1215					Regular <input type="checkbox"/> Special <input type="checkbox"/>															
Relinquished By: (Signature and Printed Name)		Date	Time	Received for Lab By: (Signature and Printed Name)		Date	Time	Were samples properly preserved:															
				BRAD WRIGHT		9-21-10	1215	Yes <input type="checkbox"/> No <input type="checkbox"/>															
Cool all samples to ≤ 6 degrees C with ice.										Flow Data		Field Test		Time		Analyst		Result		Result		Units	
Comments: Cr(24.IL), Cd(48.IL), Cu(29.IL), Pb(82.IL), Ni(28.IL) Ag(47.IL), Zn(30.IL), As(33.IL)																							
										Analyst:													
										Time:													
										Reading:													
										Units:													
										Chlorinated? Y N		Fecal Start:											

Directions



# Environmental Services Company, Inc.

Corporate Office  
 13715 West Markham  
 Little Rock, AR 72211  
 Tel. (501)221-2565 Fax (501)221-1341

Northwest Arkansas Branch  
 1107 Century Avenue  
 Springdale, AR 72762  
 Tel. (479)750-1170 Fax (479)750-1172

Control Number: 1009010355  
 Customer Name : NIDEC MOTOR CORPORATION  
 Customer Number : 478  
 Report Date : 10/01/10

Sample Date : 09/20/10  
 Sample Time : 0900  
 Sample Type : GRAB WATER  
 Sample From : WASTEWATER

Collected By: TERRY DAVIS  
 Delivery By : FED EX  
 Work Order :  
 Purchase Order :

### Laboratory Analysis

Analysis						<u>Quality Assurance</u>			
<u>Date</u>	<u>Time</u>	<u>By</u>	<u>Parameter</u>	<u>Result</u>	<u>Notes</u>	<u>Quantity</u>	<u>Method</u>	<u>Precision</u>	<u>Accuracy</u>
								<u>% RPD</u>	<u>% Recovery</u>
09/24	1443	BGW	Mercury, TCLP	< 0.0010 mg/L			EPA 1311/245.1	3.85	104.0 *
09/27	1500	NTR	Cyanide Total (as CN)	0.0448 mg/L			SM 18th 4500-CN E	1.22	97.9 *
09/27	1031	BGW	Chromium, TCLP	0.032 mg/L			EPA 1311/200.7	0.40	98.5 *
09/27	1031	BGW	Nickel, TCLP	0.610 mg/L			EPA 1311/200.7	0.52	96.4 *
09/27	1031	BGW	Copper, TCLP	0.188 mg/L			EPA 1311/200.7	0.00	100.2 *
09/27	1031	BGW	Zn, TCLP	0.098 mg/L			EPA 1311/200.7	1.94	95.4 *
09/27	1031	BGW	Arsenic, TCLP	0.112 mg/L			EPA 1311/200.7	0.21	95.4 *
09/30	1602	BGW	Silver, TCLP	0.003 mg/L			EPA 1311/200.7	0.71	98.1 *
09/27	1031	BGW	Cadmium, TCLP	< 0.004 mg/L			EPA 1311/200.7	4.74	98.7 *
09/27	1031	BGW	Lead, TCLP	< 0.010 mg/L			EPA 1311/200.7	0.99	98.1 *

\* QA data shown is from a different sample or standard on the same date.

All equipment used is checked and/or calibrated daily. All NPDES testing is conducted in accordance with 40 CFR Part 136. A minimum of 10% spiked and duplicate samples is run on each parameter where applicable for Quality Assurance purposes. Quality Assurance Plan on file with Arkansas Department of Environmental Quality. Analysis time indicates the time of the start of the analytical batch in which the specific sample was included.

Signature \_\_\_\_\_

*Ned J. Rye*  
 Environmental Services Co., Inc.

Nidec Motor Corporation  
500 North Morrow Street  
Mena, AR 71953  
Aaron Exley- EH&S Manager



**First Class Mail**  
**First Class Mail**

ADEQ  
5301 Northshore Drive  
North Little Rock, AR 72118-5317  
Attention: Allen Giliam  
NPDES Pre-Treatment Engineer  
Water Divison

DMR Report

EMC-100-MENA